

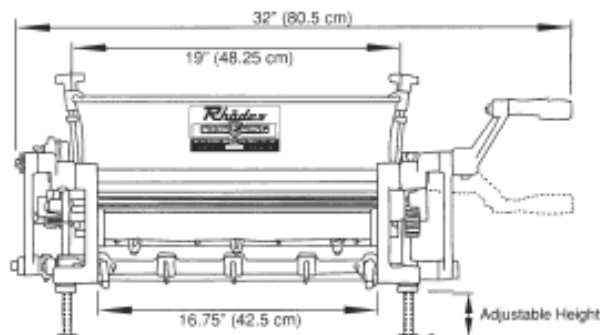
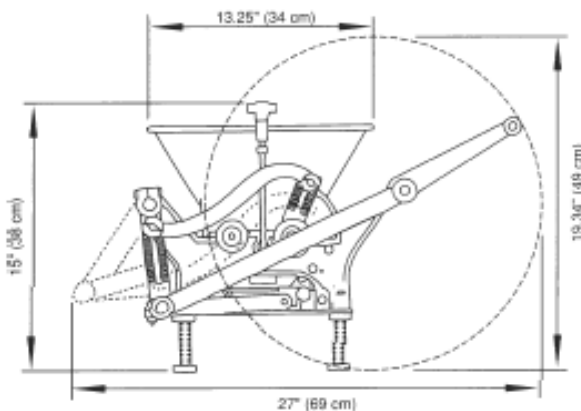
# Rhodes

## KOOK F KING

### Bench Model

**60**  
YEARS  
1940 - 2000

- Low cost automation of cookie production.
- Accepts many types of dough (chocolate chips, raisins, and chopped nuts).
- Makes 300 cookies per minute (18,000 pieces per hour).
- Holds 40 lbs. of dough in hopper.
- Cookie weight ranges between ¼ oz. to 3 oz.
- Drop height and cookie spacing are easy to adjust.
- Change cookie die in minutes.
- Over 100 different dies available.
- All parts are submersible for cleaning.
- No electricity needed.
- 87 pounds shipping weight.



# Becketts

**New & Rebuilt Bakery Machine Specialists**

Fir Street, Heywood Lancs. OL10 1NP

Tel: 01706 364103 Fax: 01706 625057

E-mail: [sales@becketts.co.uk](mailto:sales@becketts.co.uk)

Web: [www.becketts.co.uk](http://www.becketts.co.uk)